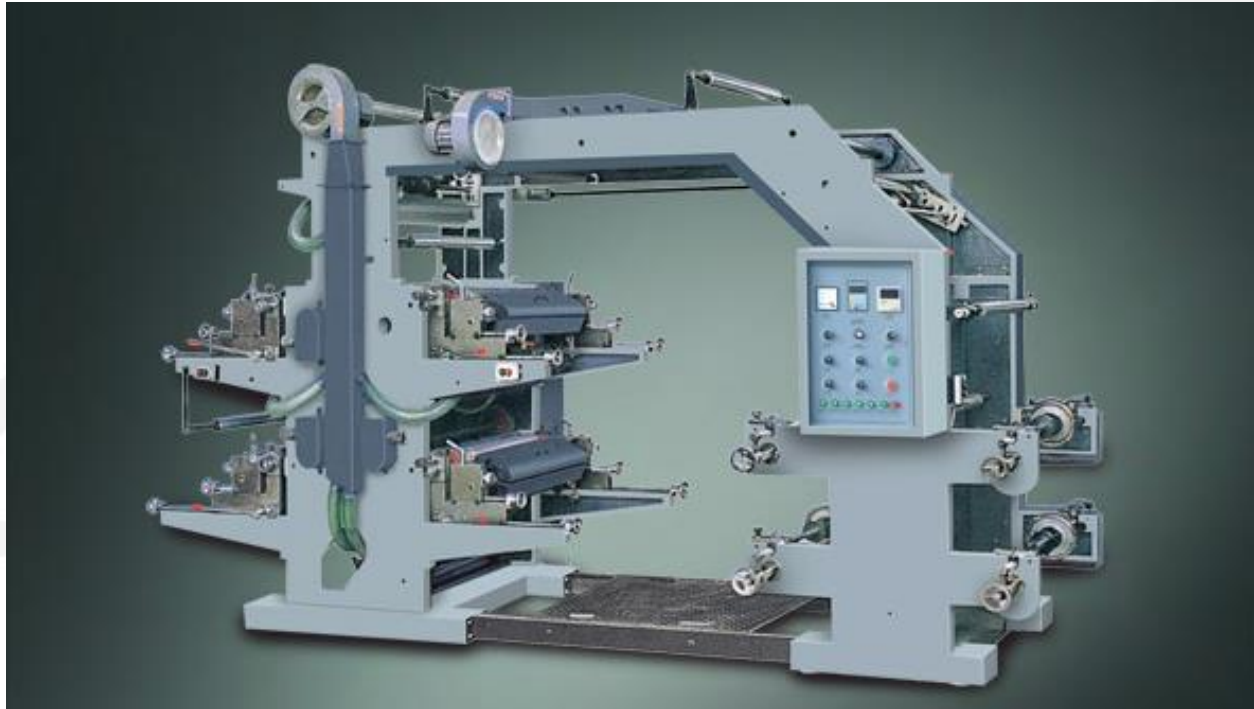




WIMPCO
World Wide Imports co

YT Four Color Flexible Printing Machine



Motor Siemens, Inversor Yaskawa y componentes Schneider

SIEMENS **YASKAWA** **Schneider Electric**

Performance and Characteristics:

Introduce sensitization resin as flexible printing plate, suitable for printing such packing materials as polyethylene, polypropylene bag, cellophane and roll paper, etc. It is a kind of ideal printing equipment for producing paper packing bag for food, supermarket handbag, vest bag and clothes bag, etc.

1. simple operating, soft starting, accurate color register.
2. meter counter can set printing quantity, automatic shutdown, automatic stop-off material.
3. pneumatic landing plate cylinder, automatic mixing ink after lifting.
4. the knurled cylinder with ink, ink evenly.
5. Reliable drying system coordinated with high-speed operation, automatic shutdown circuit.
6. 360 degrees continuous and adjustable longitudinal photo checking device.
7. frequency control, adapt to different printing speeds.





WIMPCO
World Wide Imports co

8. the roller seats and rewind shelves are loaded moving and stop buttons, easy to operate when the machine is installed.

Video impresora: <http://youtu.be/DeD8KUcQkNw>



Main Technical Variables:

Model of Machine	YT-4800
Max.Width of Printing Material	800mm
Max.Printing With	760mm
Length Range of Printed Product	191-914mm
Max.Diameter of Roll Material	φ 450mm
Printing Speed	5~50m/min
Thickness of plate(Including Two-sides Glue Paper)	2.38mm
Total Power	12.5kw
Weight of Machine	3500kg

